

Always Read Through this Manual before Operation.

BLACK & WHITE AIRSOFT

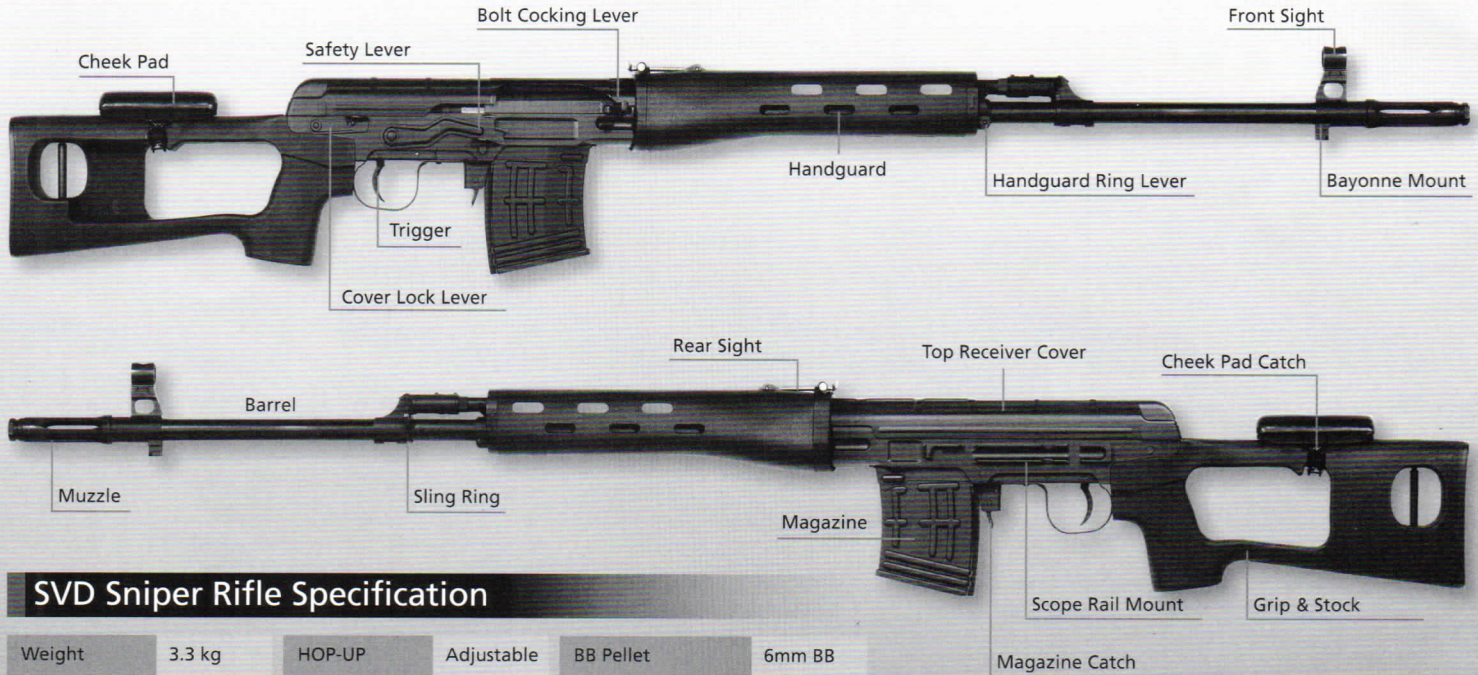
B&W

Снайперская винтовка Драгунова

Sнайперская **V**интовка **D**рагунова
Owner Instruction Manual

Dragunov SVD Sniper Rifle

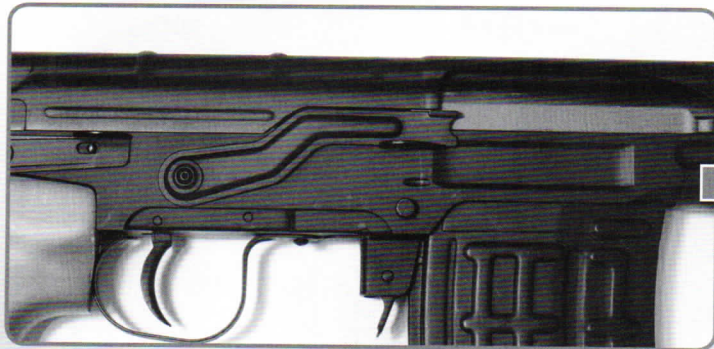
Outlook & Structure



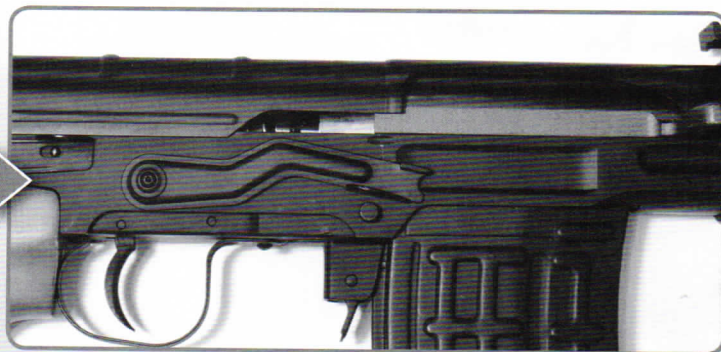
SVD Sniper Rifle Specification

Weight	3.3 kg	HOP-UP	Adjustable	BB Pellet	6mm BB
Length	122 mm	Barrel Length	631 mm	Magazine Capacity	100 Rds
Real Caliber	7.62x54	Barrel Caliber	6.08 mm	Pellet Speed	180 FPS

Safety Operation



When safety lever on this position: Safety ON



When safety lever on this position: Safety OFF, into Firing Mode

Firing Operation



One hand holding handguard, the other hand take the bolt cocking lever.

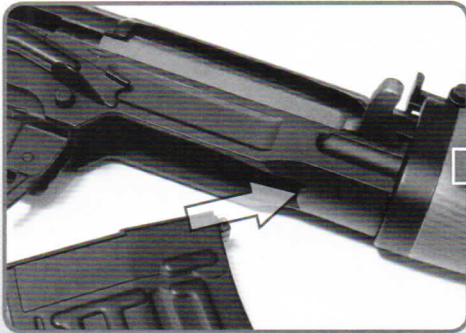


Pull the cocking lever unit back, make sure hear the "click" sound.



Pull the trigger to firing object.

Magazine Attachment



Insert the magazine front block into lower receiver magazine housing gap.



Pull the magazine upward, make sure hear the "Click" sound.



Finish magazine attachment.

Detachment Procedure



Press the magazine catch to "Front" position

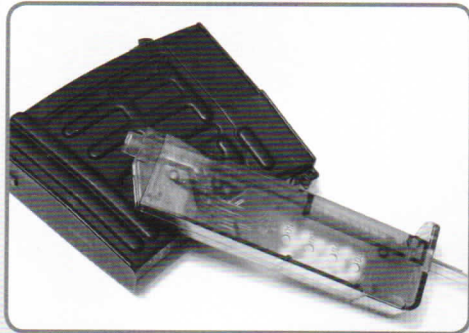


Pull down the magazine.

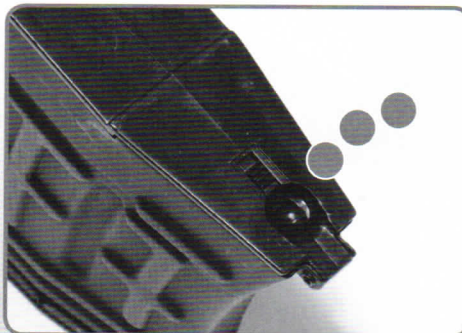


Now you can reload BB into magazine.

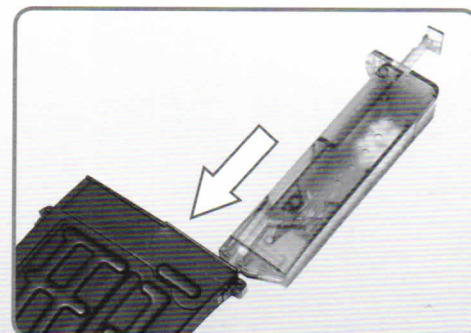
How to Reload BB



You can use the BB Fast Loader in easy way.



You can also insert BB one by one.

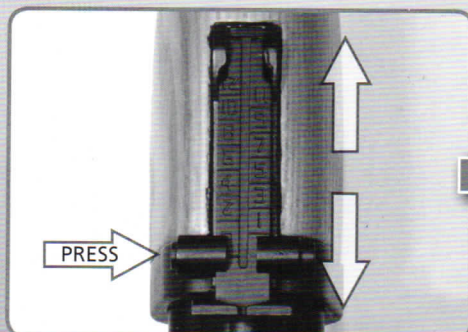


The SVD Magazine Capacity is 100Rds, Don't over load.

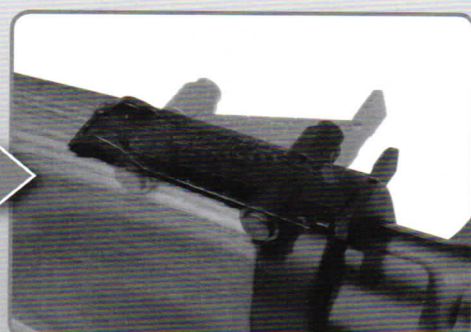
Sight Adjustment



You can using pliers to adjust the Front Sight Pin.



Elevation (UP/DOWN) adjustment button.

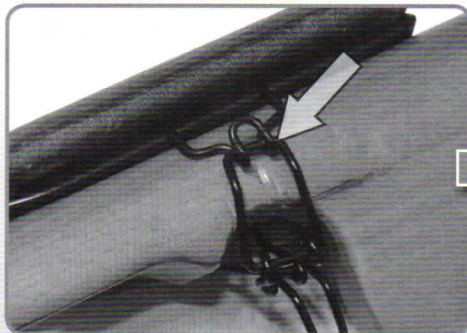


You can set the shooting distance.

How to Detach/Attach the Cheek Pad



To detach the cheek pad, unlock the lever.

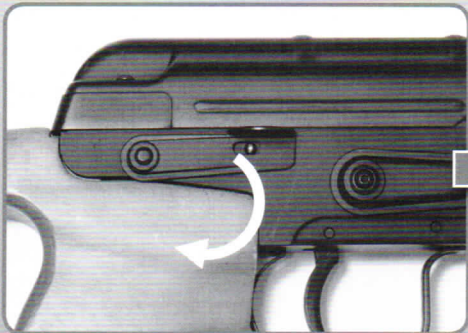


To attach the cheek pad, lock the lever to this hook.



Take lever to the other side.

How to Detach/Attach the Top Cover



Take cover lock lever toward.

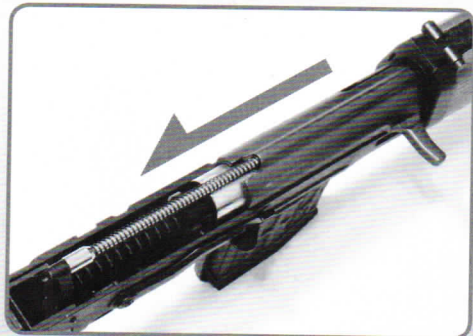


Tune to this position to release cover lock.

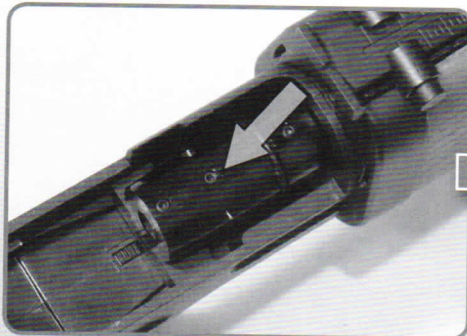


You can remove the top cover from receiver.

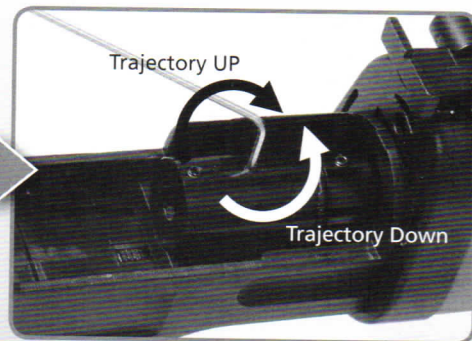
How to Detach/Attach the Cheek Pad



Remove the top cover, and pull the Bolt cocking back.



This is the HOP-UP Adjust Screw.



Using the Hex Wrench to HOP-UP adjustment.

Scope Mount (Optional: PSO-1 Scope)



Insert the scope mount to receiver mount rail.



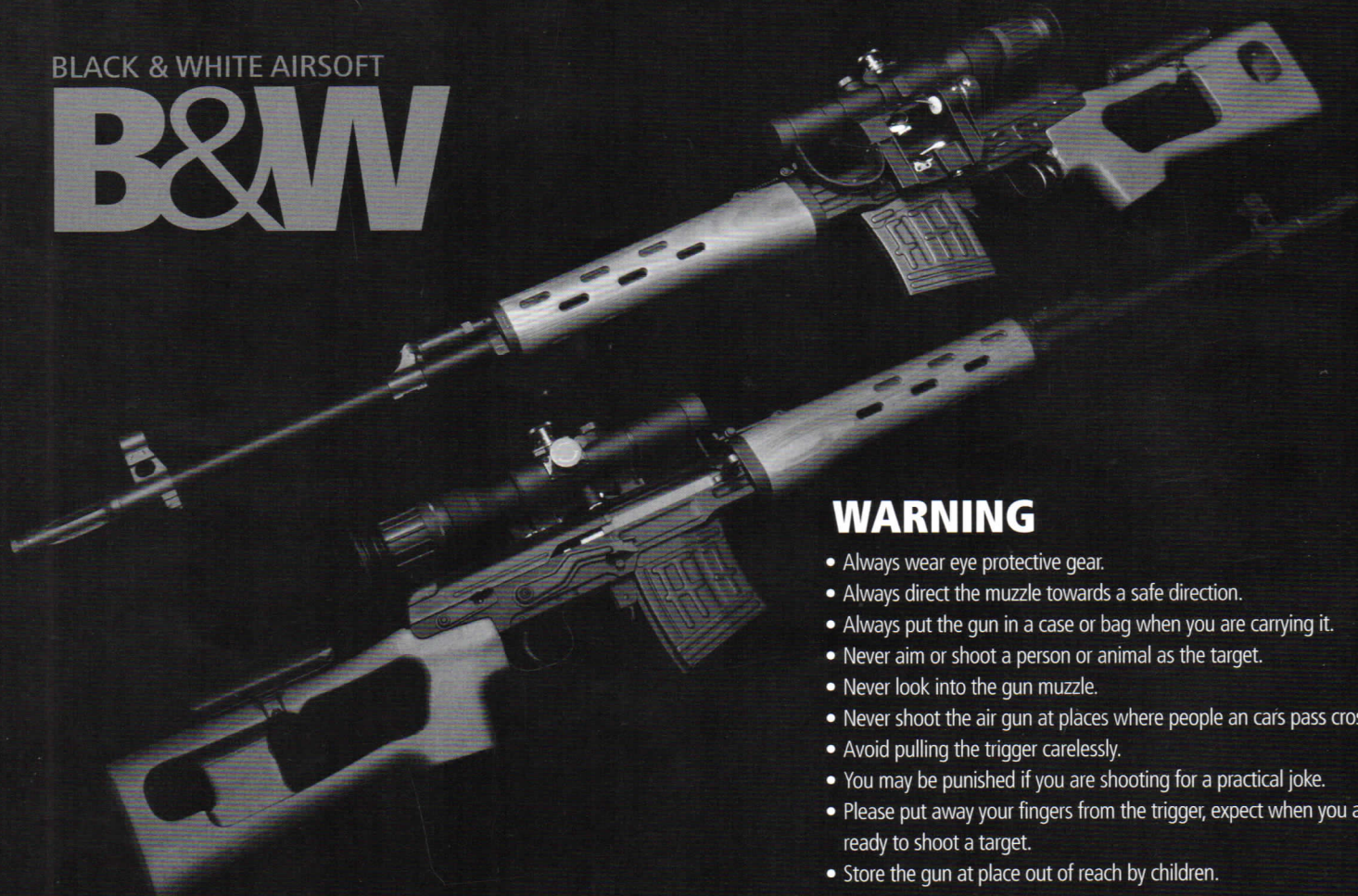
Take the scope lock lever toward.



Make sure the lock lever fixed.

BLACK & WHITE AIRSOFT

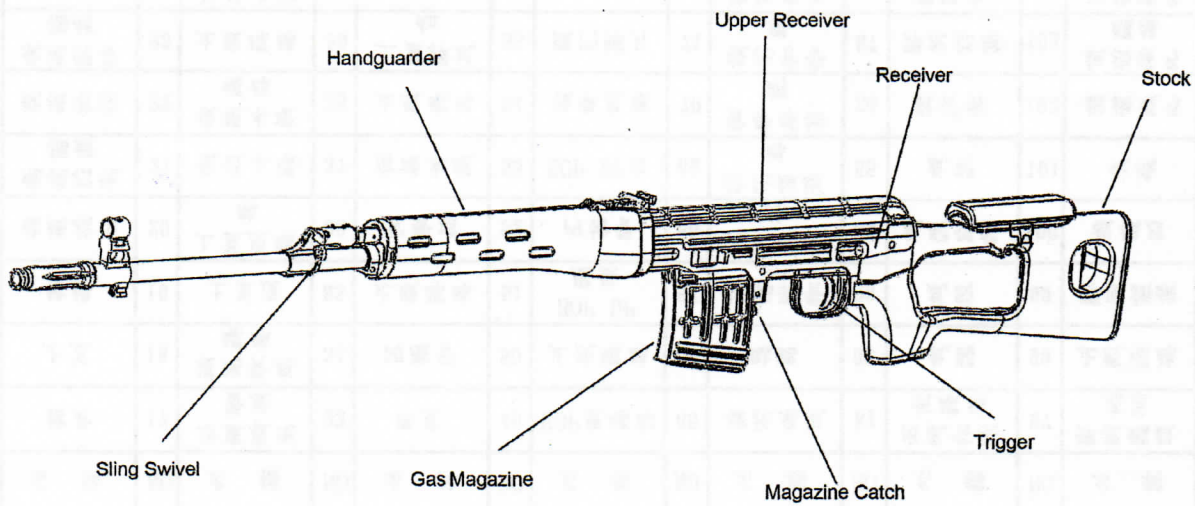
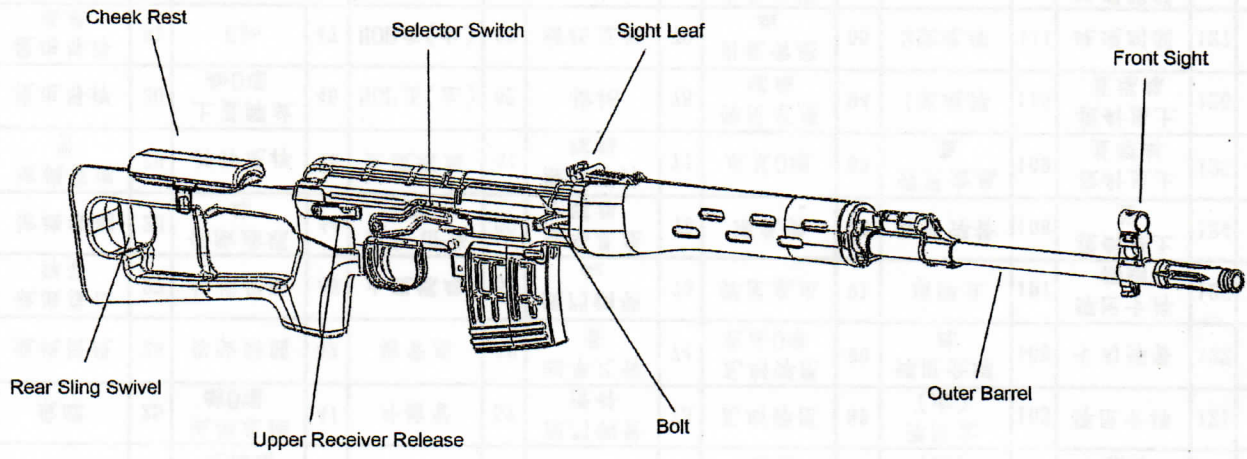
B&W



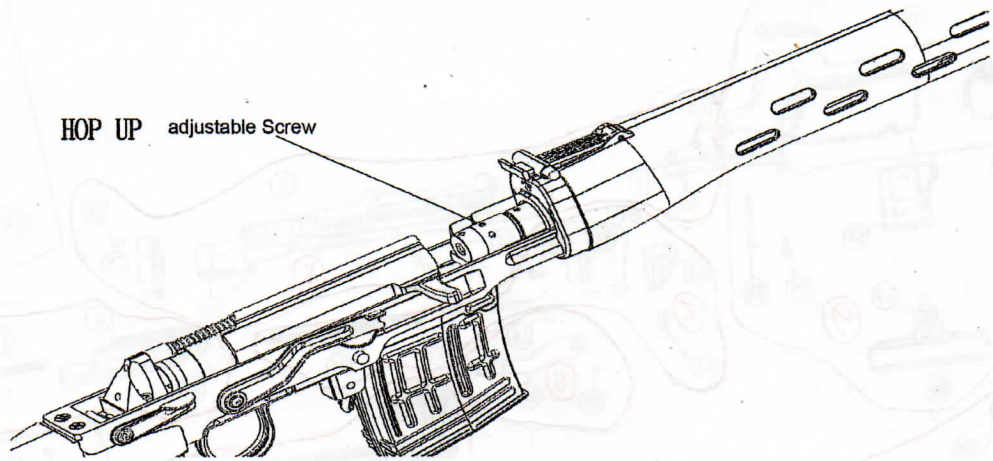
WARNING

- Always wear eye protective gear.
- Always direct the muzzle towards a safe direction.
- Always put the gun in a case or bag when you are carrying it.
- Never aim or shoot a person or animal as the target.
- Never look into the gun muzzle.
- Never shoot the air gun at places where people and cars pass cross.
- Avoid pulling the trigger carelessly.
- You may be punished if you are shooting for a practical joke.
- Please put away your fingers from the trigger, expect when you are ready to shoot a target.
- Store the gun at place out of reach by children.

ATVD GAS / CO2 Component Names



HOP UP



Going Up Going Down

