

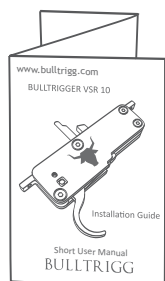
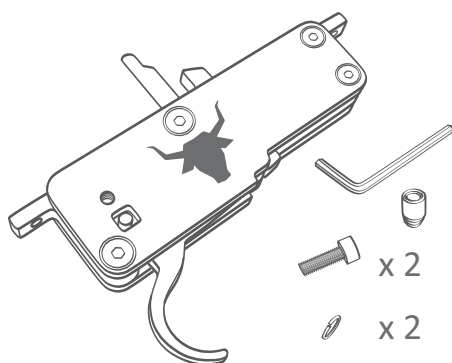
Short User Manual
BULLTRIGG

BULLTRIGG

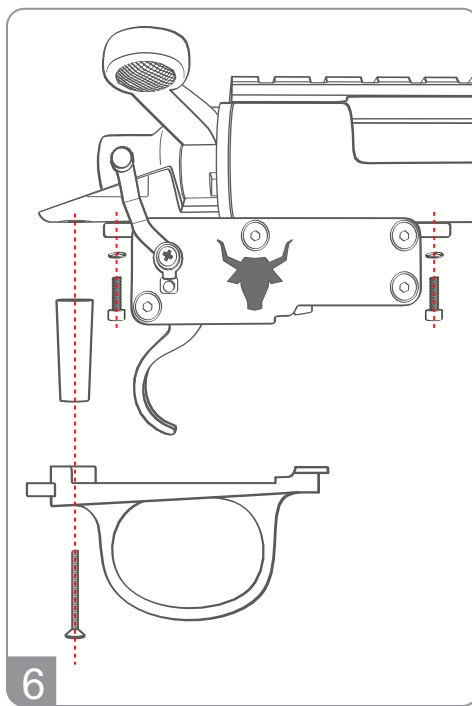
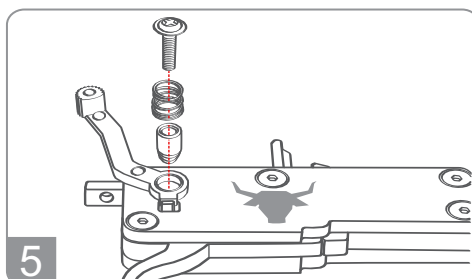
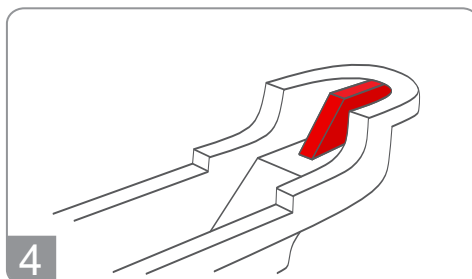
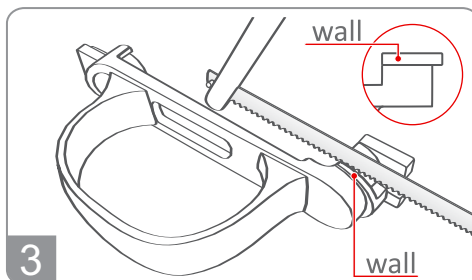
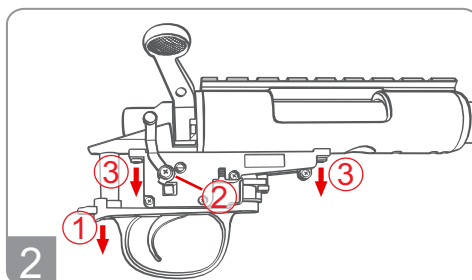
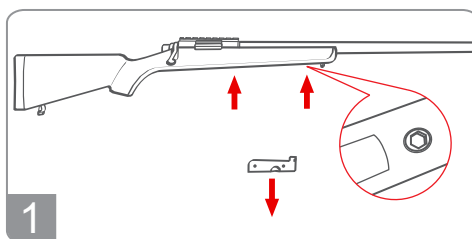


BULLTRIGGER_VSR_10_V1.2

What is in the box:



Installation guide



- Remove the magazine
- Remove the stock by unscrewing two hex screws.

1. Remove the trigger guard.
2. Remove the safety lever.
3. Remove original trigger unit.

- Cut the trigger guard just above a thin wall.
- Sand it down until it's flush with the wall.

- Remove a little wall inside the front part (with dremel, narrow pliers, hot nail etc.).

- Install the safety lever on your new trigger.

- Mount the trigger on the receiver using the included spring washers and screws.



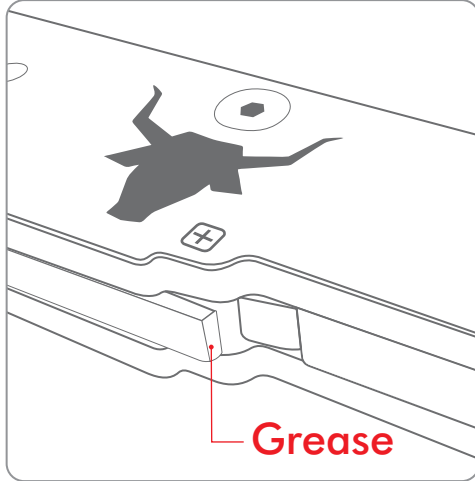
Tighten the screws just enough to fully compress the washer. If you overtighten you may strip the threads in the receiver.

- Mount the modified trigger guard back and reinstall the stock.

Specification

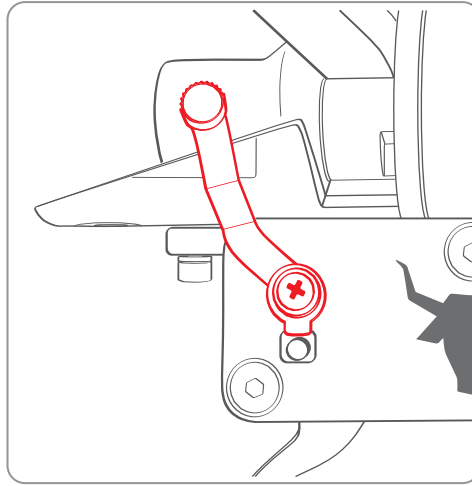
material	aluminum, stainless steel
colour	metal, black
weight	143g
dimensions	110 x 85 x 14mm
mounting screws	M3x10

Maintenance

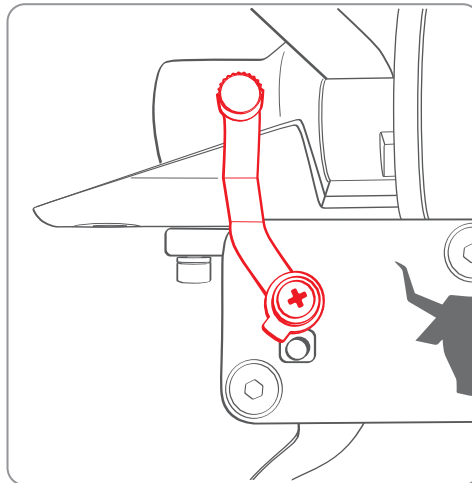


- To avoid excessive wear and to ensure light trigger pull, clean and grease the sears regularly with heavy grease.

Operation



- Safe Mode



- Fire Mode

IMPORTANT



Warning

- Never use the rifle without safety lever installed.
 - Don't use the product combined with any spring that is not meant for airsoft rifles.
 - Keep the trigger away from the sand and other abrasive matter.
-
- Before each game make sure that trigger works as it should.

NOTICE:

Any changes or modifications to this trigger that are not expressly approved by **Bulltrigg** may invalidate the warranty and may destroy the product.

Disposal of your product

Your product is designed and manufactured with high quality materials and components, which can be recycled and reused.



Caution

Disassembly of this product invalidates the warranty.



information & support

www.bulltrigg.com/support
info@bulltrigg.com