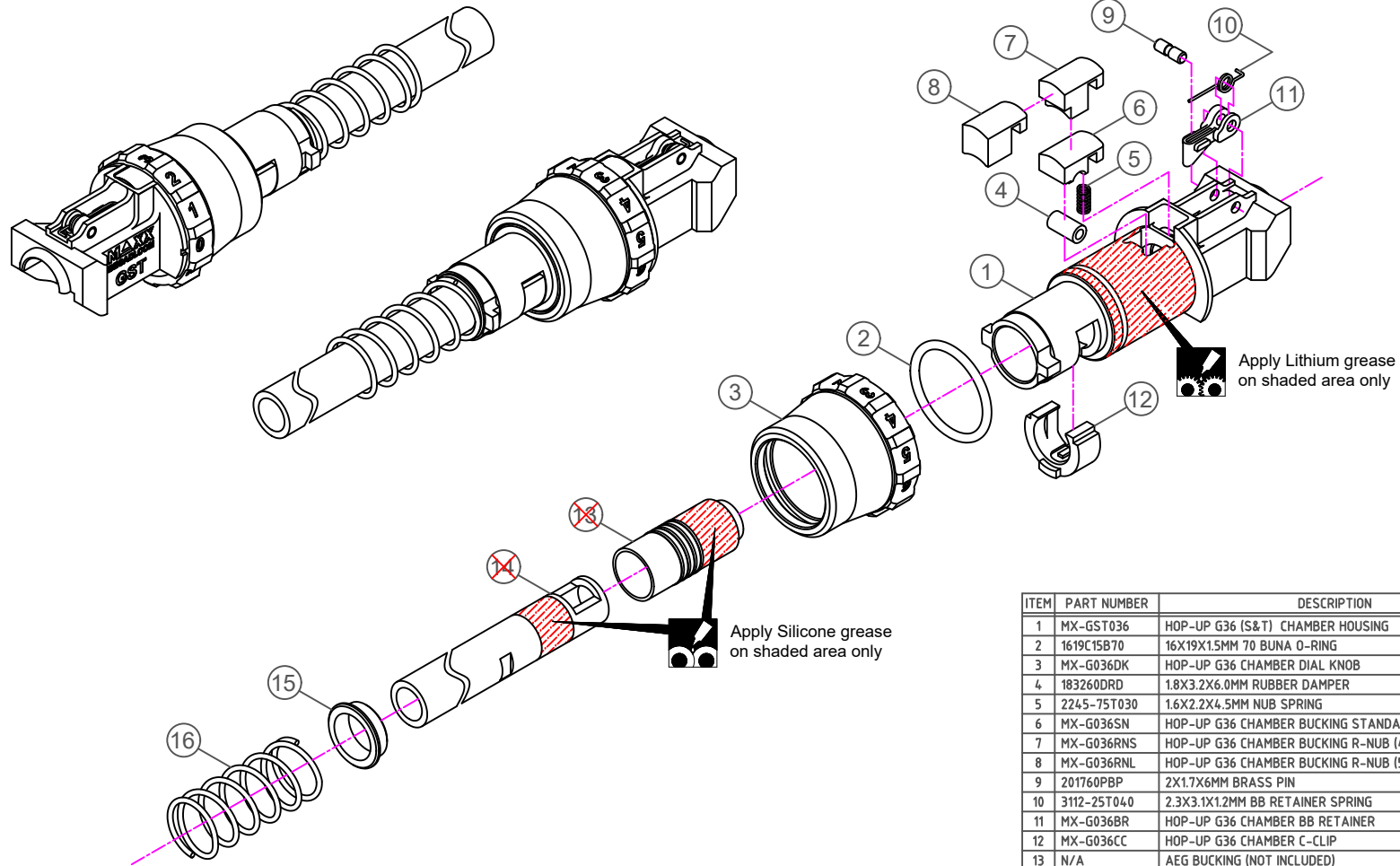


CNC ALUMINUM G36 (S&T) HOPUP CHAMBER

MAXX MODEL PRODUCTS, INC.

COPYRIGHT © 2020

3 EXPLODED VIEW



CAUTION: Please check your model carefully before operation!

REV. MX-GST036-101120-01