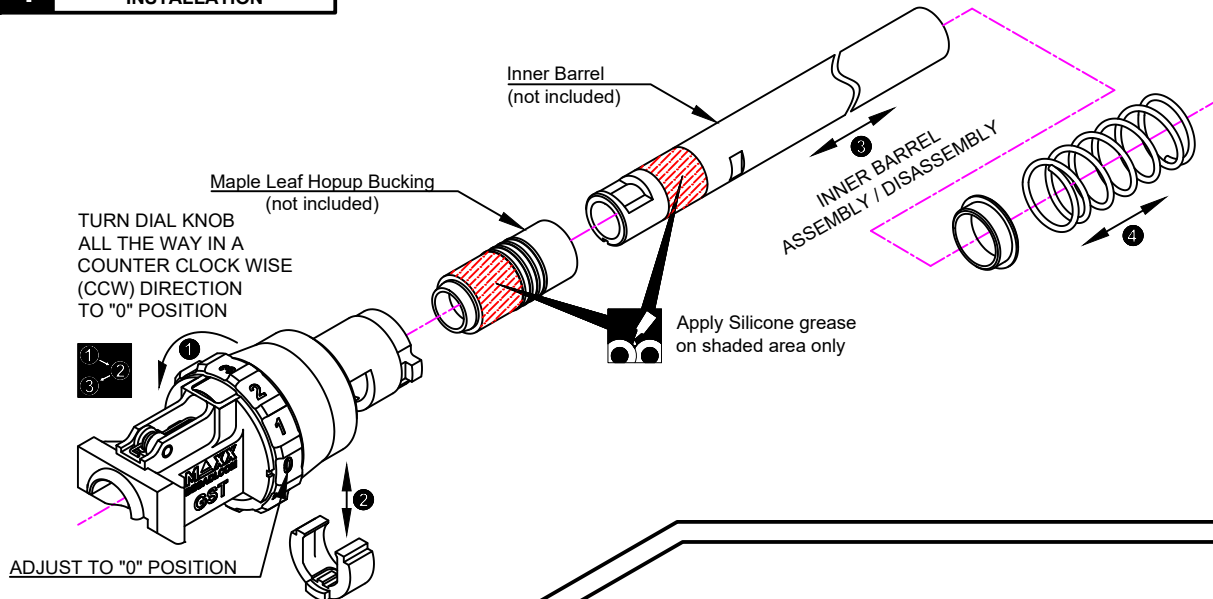


CNC ALUMINUM G36 (S&T) HOPUP CHAMBER

MAXX MODEL PRODUCTS, INC.

COPYRIGHT © 2020

1 INNER BARREL & BUCKING INSTALLATION



STANDARD HOP: ADJUST DIAL KNOB SETTING 1 - 10



R-HOP: ADJUST DIAL KNOB SETTING 1 - 6

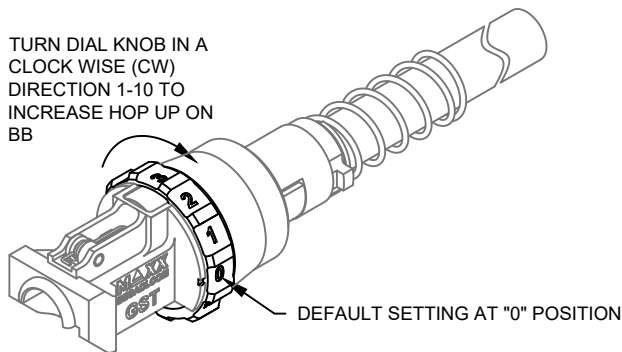


FLAT HOP: ADJUST DIAL KNOB SETTING 4 - 10



2 DIAL KNOB SETTING & HOPUP NUBS INSTALLATION

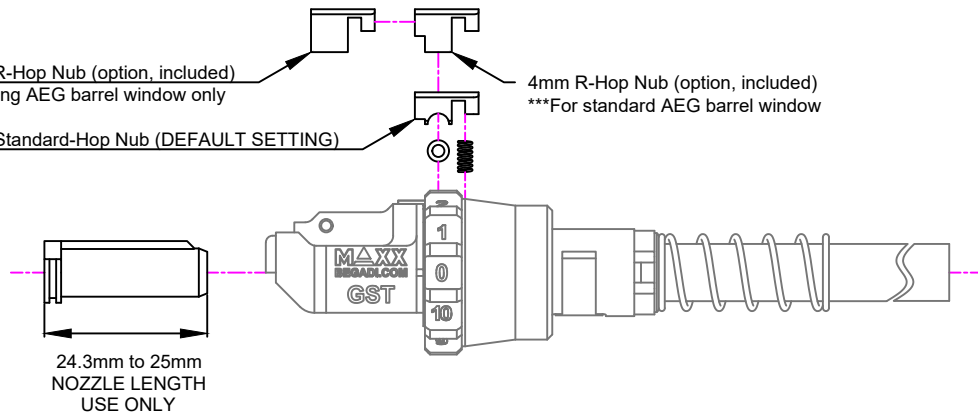
TURN DIAL KNOB IN A CLOCK WISE (CW) DIRECTION 1-10 TO INCREASE HOP UP ON BB



5.5mm R-Hop Nub (option, included)
***For long AEG barrel window only

4mm R-Hop Nub (option, included)
***For standard AEG barrel window

4mm Standard-Hop Nub (DEFAULT SETTING)



Assemble in this order



Apply Silicone grease

CAUTION: Please check your model carefully before operation!

REV. MX-GST036-101120-01