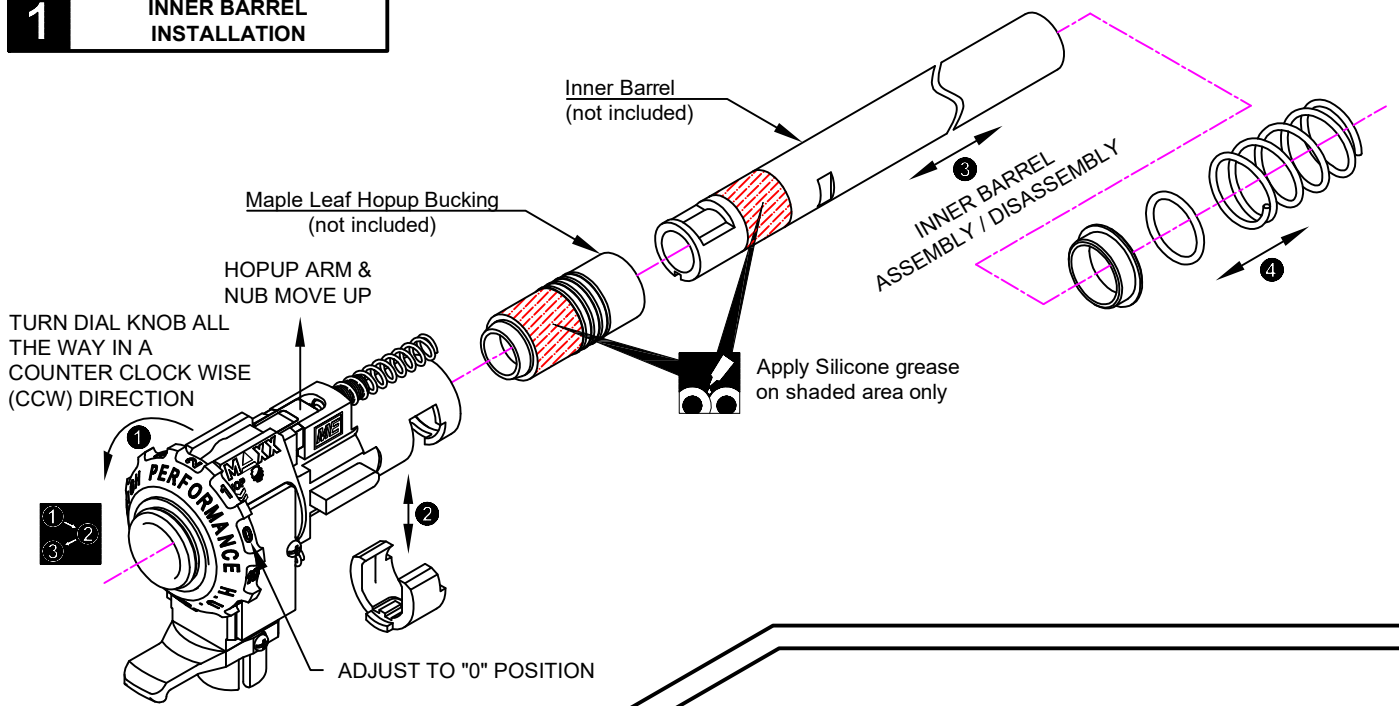


CNC ALUMINUM HOPUP CHAMBER ME - PRO

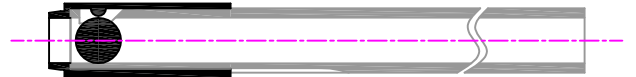
MAXX MODEL PRODUCTS, INC.

COPYRIGHT © 2018

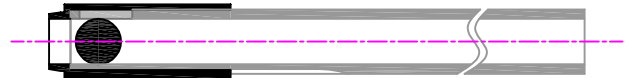
1 INNER BARREL INSTALLATION



STANDARD HOP: ADJUST DIAL KNOB SETTING 1 - 6



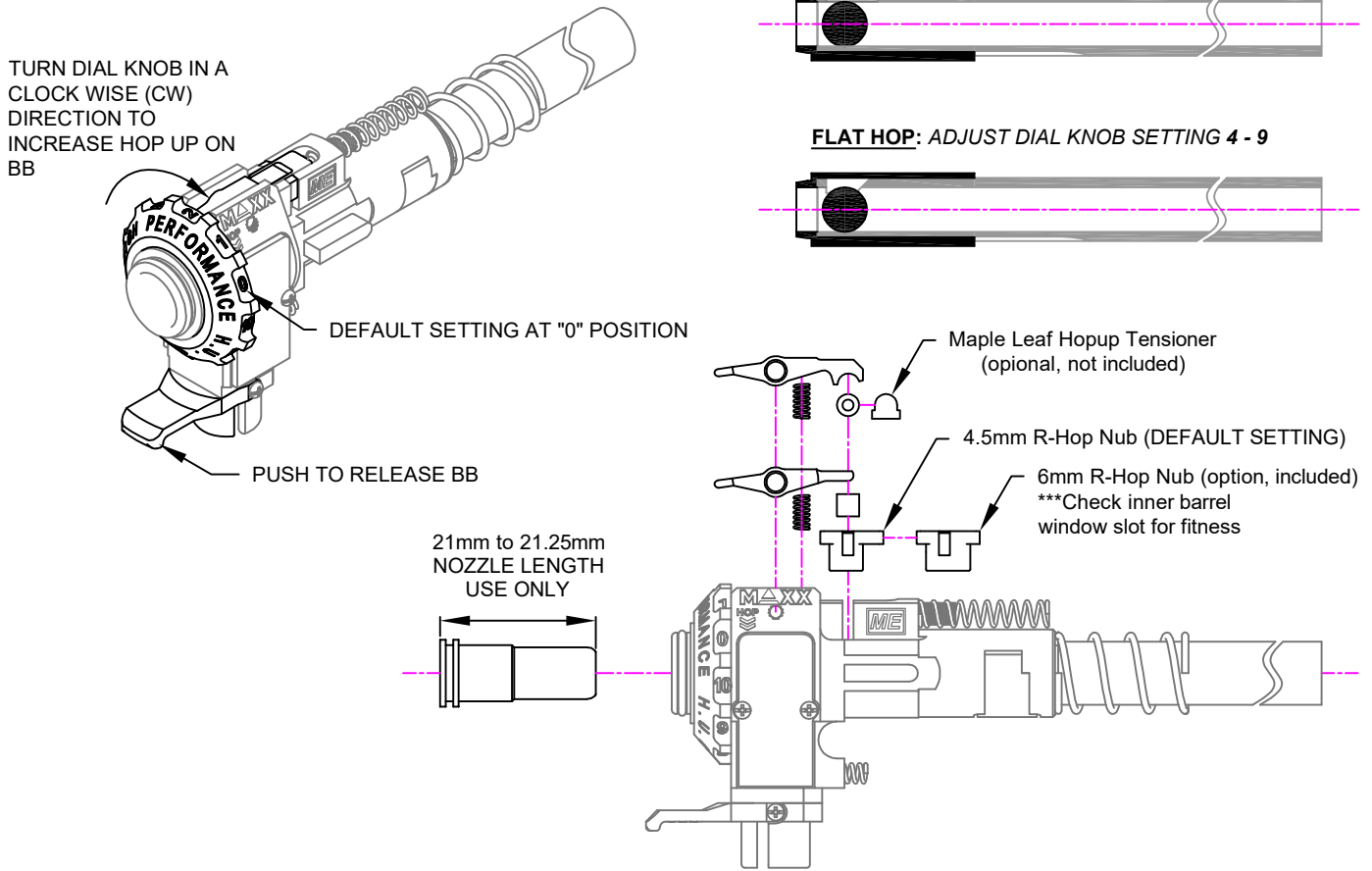
R-HOP: ADJUST DIAL KNOB SETTING 0 - 8



FLAT HOP: ADJUST DIAL KNOB SETTING 4 - 9



2 DIAL KNOB SETTING & HOPUP ARM INSTALLATION



Assemble in this order



Apply Silicone grease

CAUTION: Please check your model carefully before operation!

REV. MX-HOP005PRO-281018-01