

Setup process

LED meaning:

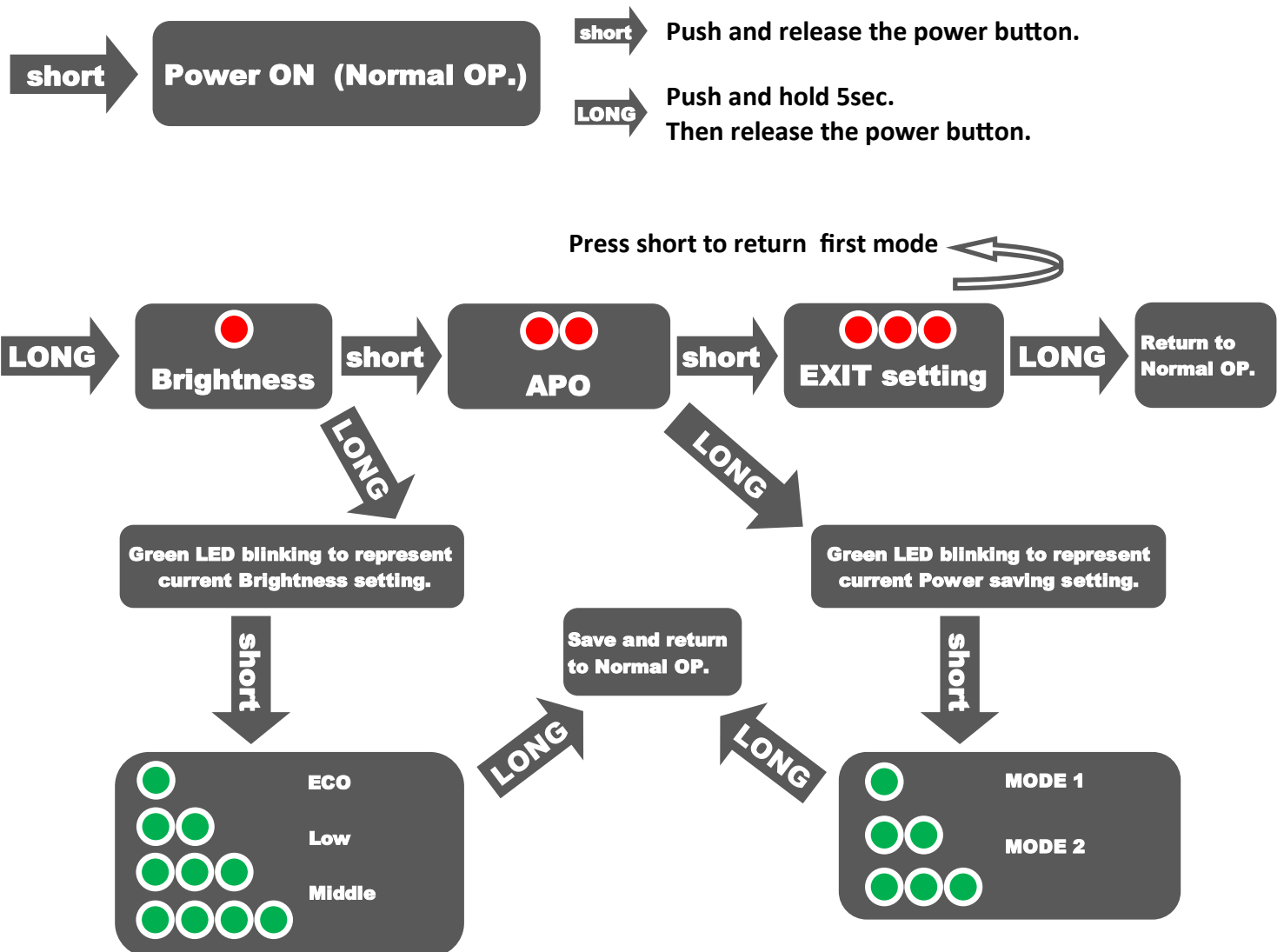
- Red for selection of setting mode
- Green for selection of mode parameter

Example:

- = Red LED blink twice, also means "MODE2"
- = Green LED blink 3 times.

Setting mode (Red)			
LED color	Blink times	Mode name	Parameter of mode
Red	●	Brightness	4 Level. ECO, Low, Middle, High
Red	●●	Auto Power Off	3 Mode.
Red	●●●	Exit setting	

Adjust parameter (Green)				
Mode \ Parameter	●	●●	●●●	●●●●
Mode 1: Brightness	ECO	Low	Middle	High
Mode 2: Auto Power Off	MODE 1	MODE 2	MODE 3	-



DESCRIPTION

● Detail of Auto Power Off (APO)

APO Mode \ Power Control	Power Off by	Power On by
Mode 1: Timer + Motion	No motion in 110 sec or Press PWR button	Any motion * or Press PWR button
Mode 2: Timer	No shot in 15 mins or Press PWR button	Press PWR button
Mode 3: Always On	Press PWR button	Press PWR button

In any mode above, If there is no motion in 100 sec, XT301 will into power saving status.
(by inhibit something in circuit)

Any Motion will leave power saving status automatically.

* If last time is press button to power off. Any motion will **NOT** Power On XT301.

● LED indicator

After power on, LED will blink several times every 4 sec.

LED blink times represent current APO mode.

Blink once: APO is mode 1

Blink twice: APO is mode 2

Blink 3 times: APO is mode 3

There are 4 LED colors to represent battery condition.

-  Good
-  Don't worry
-  A little concern
-  Empty

When charging in progress, Red LED breathing light will shown.

After charging is completed, the green LED will light.

Feature

Xcortech XT301 MK2 Compact Airsoft Tracer Unit

- Automatic power on / power off control by Motion sensor.
- Integrated Motion sensor, Auto On/ Off, Sleep Mode (Motion On)
- High power UV LED technology.
- Battery last up to 19,000 rounds.
- Can sustain tracer function up to 35 RPS (2100 RPM).
- 2 side light sources for optimum illumination.
- Motion sensor inside.
- Rechargeable battery.
- Micro USB charge connector.
- Low power protect.
- For use with GREEN glow in the dark BBs only.

Specification

Color: Black

Diameter: 27mm

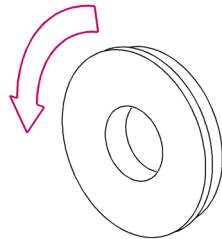
Length: 61mm

Threads: 11mm CW

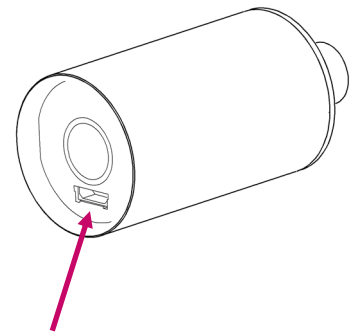
Weight: 28g

Material: Aluminum

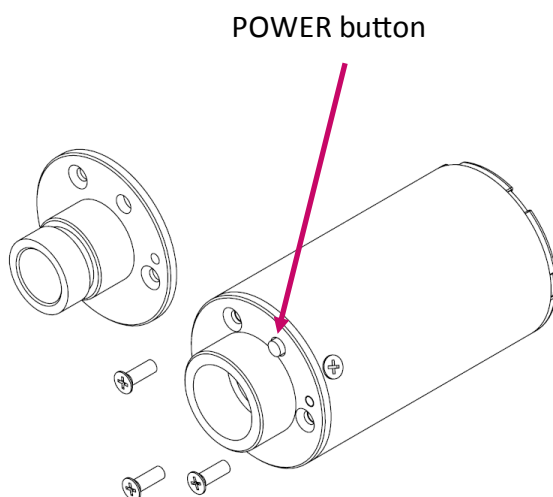
14mm CCW Thread included.



Rotate CCW to
loosen front cover



Micro USB
Charge connector



POWER button