



# ПИСТОЛЕТ ТТ ОБР. 1933 г.

ТЕХНИЧЕСКОЕ ОПИСАНИЕ И  
ИНСТРУКЦИЯ ПО ЭКСПЛУАТАЦИИ

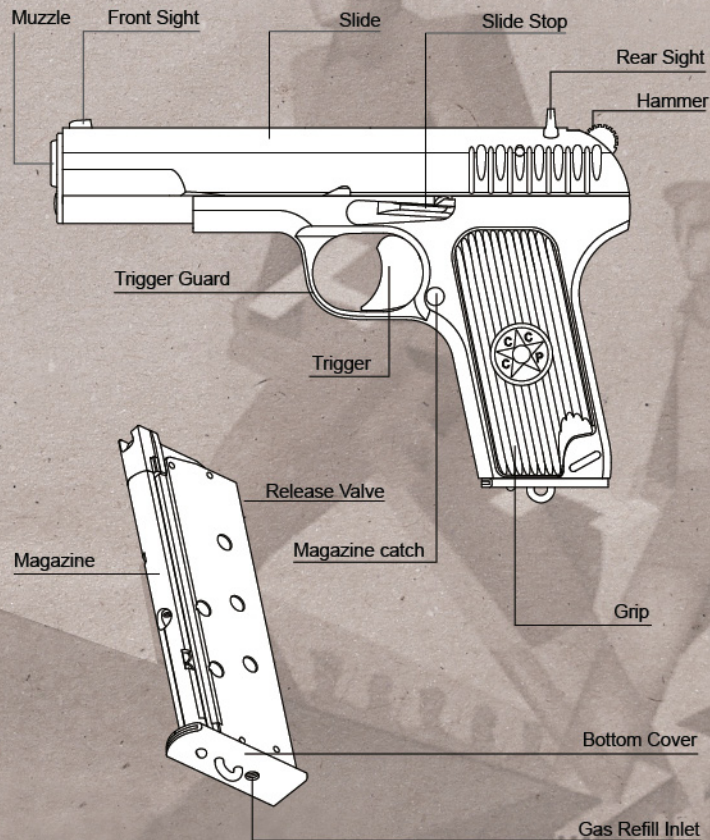


SR-33 INSTRUCTION MANUAL

## SAFETY INFORMATION

1. When using airsoft guns eye protection is required. (goggles or mask)
2. Never place your finger on the trigger until you are ready to fire the gun. Always put the gun in safe mode when not in use. Treat every gun as if it is loaded.
3. Please keep away from children.
4. BBs may remain in the barrel after magazine removal. To avoid injury, never look directly into the barrel and ensure the gun is always pointed in a safe direction.
5. Disassembly or modification of this product may result in damage to your Airsoft gun, loss of warranty, and/or serious injury.
6. Please select a safe place to fire your airsoft gun. Always know your state and local laws concerning airsoft gun use.
7. Do not aim or shoot at humans, animals, buildings, or vehicles.
8. Please use a firearm case or bag when transporting your airsoft gun.

## SR-33 Parts Description



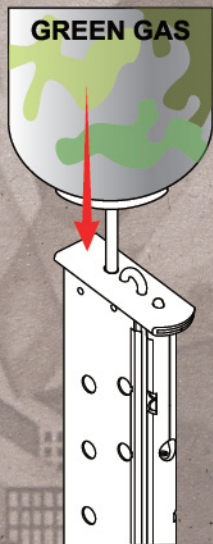
# Gas Injection & Loading BB Bullets

STEP 1



- 1 Press the Magazine Catch.
- 2 Remove the Magazine by pulling it downward.

STEP 2



- 1 Turn the Magazine upside down with gas refill inlet facing upwards.
- 2 Keeping the gas cylinder inverted and vertical to the Magazine, inject gas until completely filled.

## ⚠ WARNING

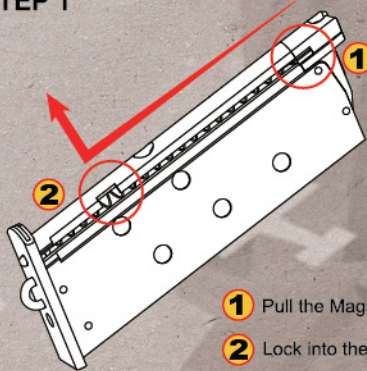
GREEN GAS IS FLAMMABLE. KEEP AWAY FROM OPEN FLAME WHEN LOADING AND USING.

# Loading BB Bullets

## ⚠ WARNING

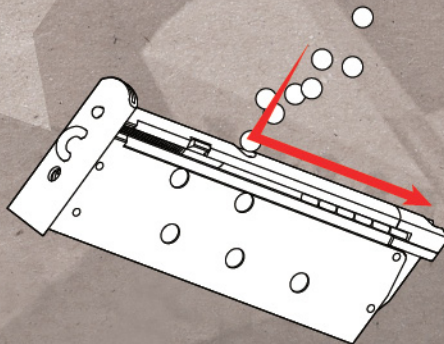
ALWAYS KEEP YOUR FINGER OFF THE TRIGGER UNTIL YOU ARE READY TO FIRE THE GUN. MAKE SURE THE MUZZLE IS ALWAYS POINTED IN A SAFE DIRECTION.

STEP 1



- 1 Pull the Magazine Spring-Loaded feeder back.
- 2 Lock into the notch.

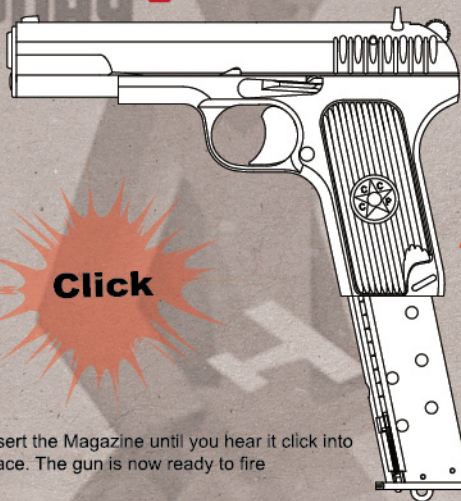
STEP 2



Load BBs into the Magazine as show above.

## Loading BB Bullets

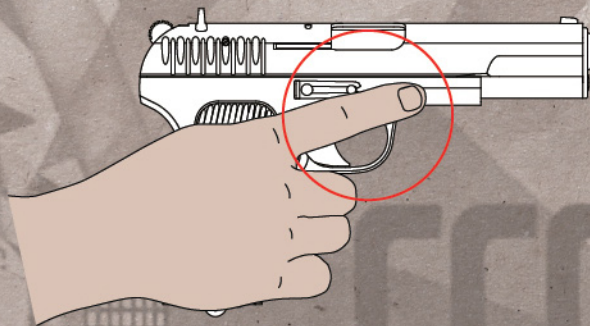
STEP 1



Insert the Magazine until you hear it click into place. The gun is now ready to fire

STEP 2

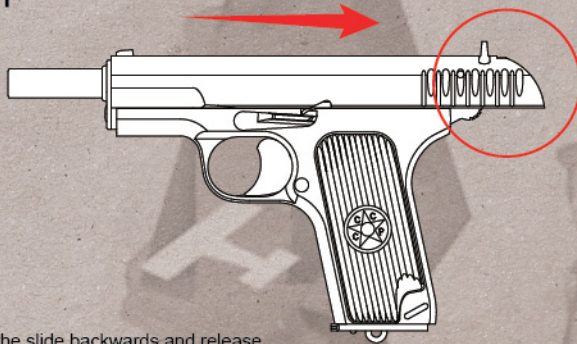
**ALWAYS KEEP YOUR FINGER OFF THE TRIGGER UNTIL YOU ARE READY TO FIRE THE GUN. MAKE SURE THE MUZZLE IS ALWAYS POINTED IN A SAFE DIRECTION.**



## Shooting **⚠WARNING**

**WARNING - WHEN FIRING THIS GUN, THE SLIDE MOVES RAPIDLY BACKWARDS AND FORWARDS (BLOW BACK ACTION). TO AVOID INJURY, KEEP FINGERS OFF THE SLIDE. DO NOT HOLD PISTOL CLOSE TO THE FACE OR HEAD.**

STEP 1



Pull the slide backwards and release.

STEP 2



Aim the gun in a safe direction and fire at your target. The upper receiver will cycle (blow back action), allowing the pistol to fire in semi-automatic mode.

# Hop-up Adjustment

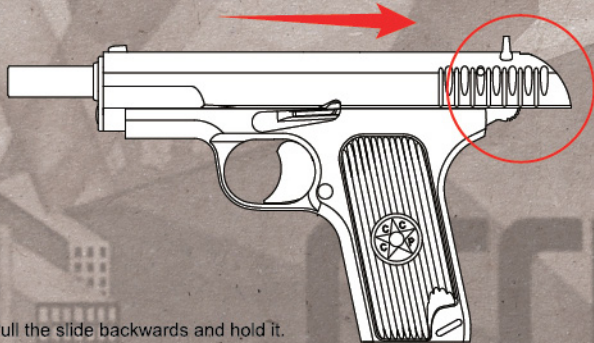
STEP 1



Remove the magazine

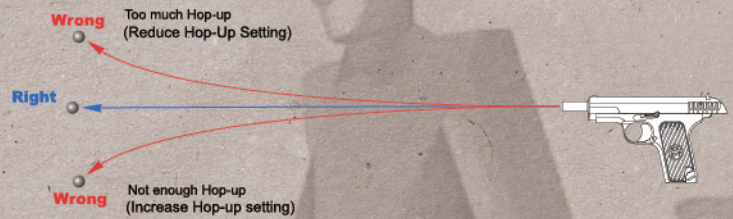
STEP 2

**ALWAYS KEEP YOUR FINGER OFF THE TRIGGER UNTIL YOU ARE READY TO FIRE THE GUN. MAKE SURE THE MUZZLE IS ALWAYS POINTED IN A SAFE DIRECTION.**

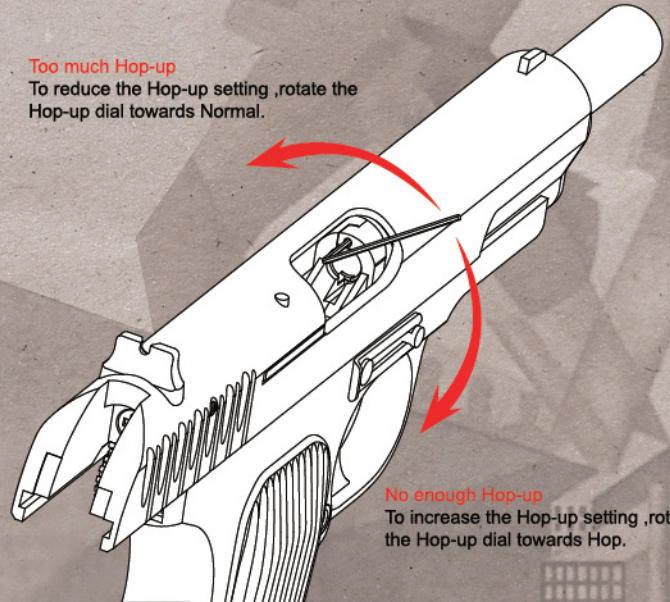


Pull the slide backwards and hold it.

# Hop-up Adjustment

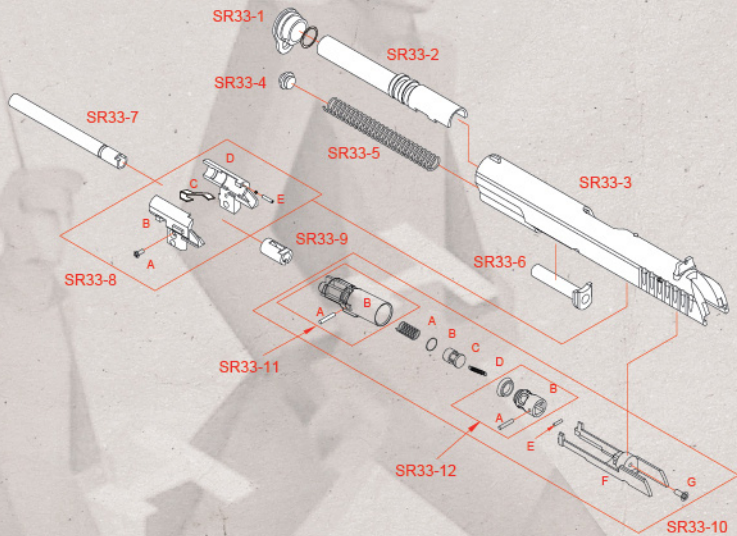


**Too much Hop-up**  
To reduce the Hop-up setting, rotate the Hop-up dial towards Normal.



**No enough Hop-up**  
To increase the Hop-up setting, rotate the Hop-up dial towards Hop.

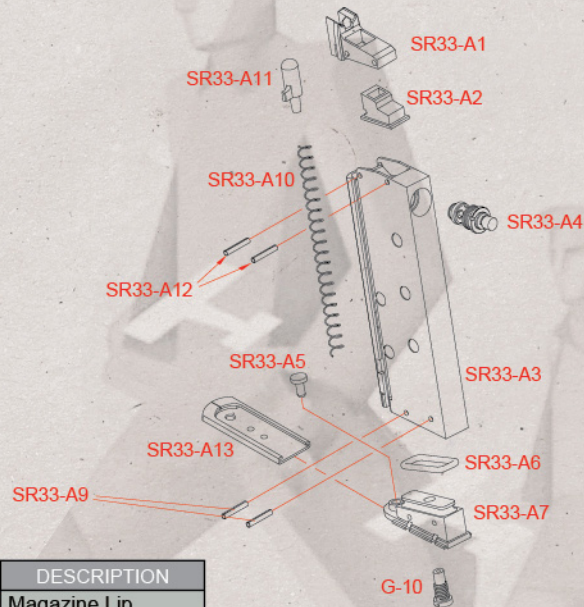
# Schematic SR-33 Slide



NO.	DESCRIPTION
SR33-1	Barrel Cap
SR33-2	Outer Barrel
SR33-3	Slide
SR33-4	Recoil Spring Plug
SR33-5	Recoil Spring
SR33-6	Recoil Spring Guide
SR33-7	Inner Barrel
SR33-8	Hop Up Chamber
SR33-9	Hop Up Bucking
SR33-10	Air Nozzle Base set
SR33-11	Air Nozzle
SR33-12	Piston

1. You can buy all parts from your local dealer or reseller.  
 2. For international shipping please contact [support@starrainbow.com.tw](mailto:support@starrainbow.com.tw)

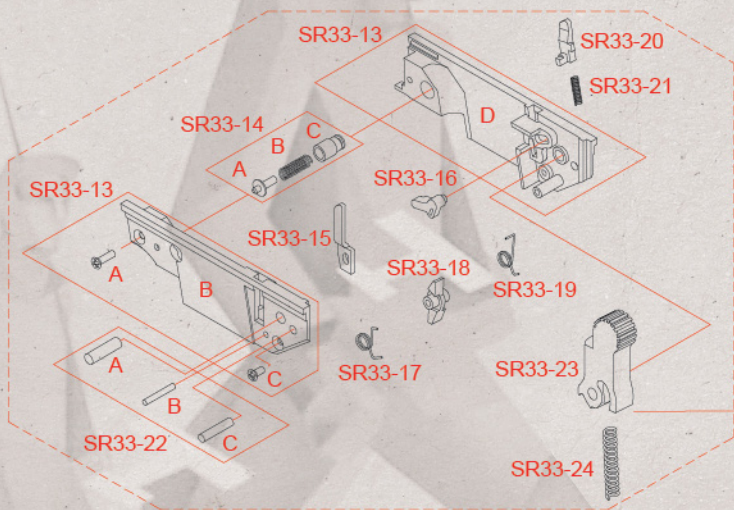
# Schematic SR-33 Gas Magazine



NO.	DESCRIPTION
SR33-A1	Magazine Lip
SR33-A2	Air Nozzle Rubber
SR33-A3	Magazine Frame
SR33-A4	Valve
SR33-A5	Magazine Spring Base
SR33-A6	O-ring
SR33-A7	Magazine Base
SR33-A9	Pin
SR33-A10	Magazine Spring
SR33-A11	Magazine Bar
SR33-A12	Pin
SR33-A13	Magazine Plate
G-10	Gas Valve

1. You can buy all parts from your local dealer or reseller.  
 2. For international shipping please contact [support@starrainbow.com.tw](mailto:support@starrainbow.com.tw)

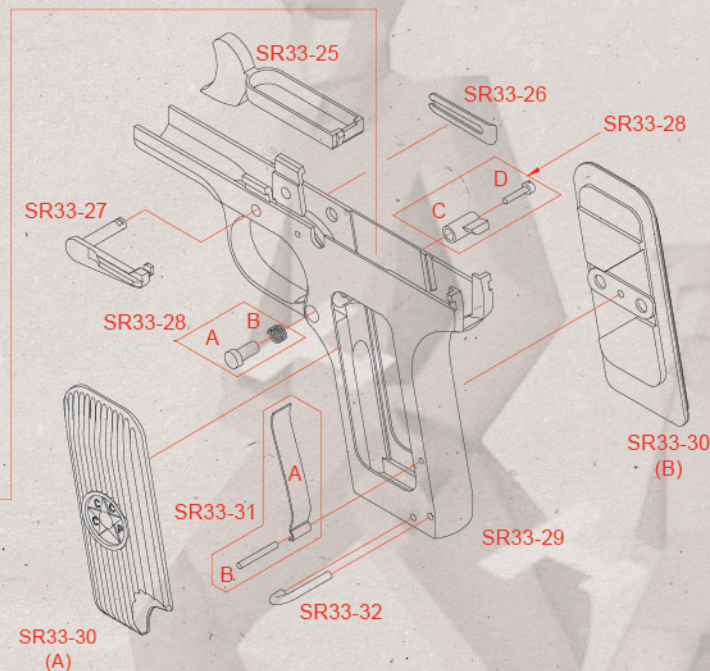
# Schematic SR-33 Lower Receiver



NO.	DESCRIPTION
SR33-13	Trigger Base
SR33-14	Trigger Base Catch set
SR33-15	Disconnecter
SR33-16	Impact pin
SR33-17	Sear Spring
SR33-18	Sear
SR33-19	Impact pin Spring
SR33-20	Shear
SR33-21	Shear Spring
SR33-22	Pin

NO.	DESCRIPTION
SR33-23	Hammer
SR33-24	Hammer Spring

1. You can buy all parts from your local dealer or reseller.
2. For international shipping please contact [support@starrainbow.com.tw](mailto:support@starrainbow.com.tw)



NO.	DESCRIPTION
SR33-25	Trigger
SR33-26	Slide Stop Clip
SR33-27	Slide Stop
SR33-28	Magazine Catch set
SR33-29	Lower Frame
SR33-30	Grip
SR33-31	Trigger Spring
SR33-32	Lanyard mount

1. You can buy all parts from your local dealer or reseller.
2. For international shipping please contact [support@starrainbow.com.tw](mailto:support@starrainbow.com.tw)