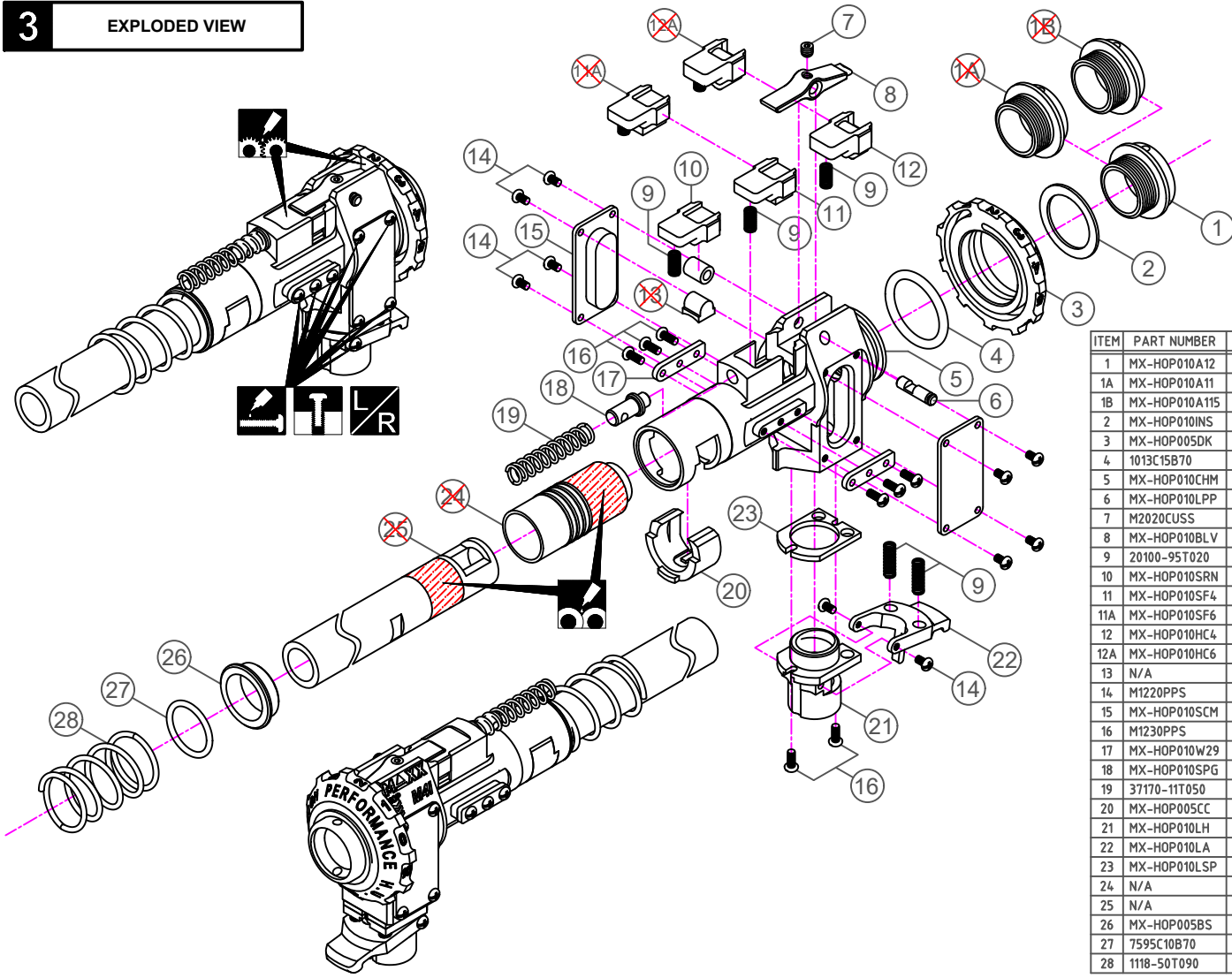


# CNC ALUMINUM HOPUP CHAMBER M4i - PRO

MAXX MODEL PRODUCTS, INC.

COPYRIGHT © 2022

## 3 EXPLODED VIEW



ITEM	PART NUMBER	DESCRIPTION	QTY
1	MX-HOP010A12	HOPUP CHAMBER INLET ADAPTOR (OD12MM)	1
1A	MX-HOP010A11	HOPUP CHAMBER INLET ADAPTOR (OD11MM) (OPTIONAL)	0
1B	MX-HOP010A115	HOPUP CHAMBER INLET ADAPTOR (OD11.5MM) (OPTIONAL)	0
2	MX-HOP010INS	HOPUP CHAMBER INLET SPACER	1
3	MX-HOP005DK	HOPUP CHAMBER DIAL KNOB	1
4	1013C15B70	10X13X1.5MM 70 BUNA O-RING	1
5	MX-HOP010CHM	HOPUP CHAMBER HOUSING M4	1
6	MX-HOP010LPP	HOPUP CHAMBER LEVER PIVOT PIN	1
7	M2020CUSS	M2X2MM SOCKET CUP POINT SET SCREW	1
8	MX-HOP010BLV	HOPUP CHAMBER BUCKING LEVER	1
9	20100-95T020	1.6X2.0X10MM HELICAL COMPRESSION SPRING	5
10	MX-HOP010SRN	HOPUP CHAMBER SOFT ROUND NUB	1
11	MX-HOP010SF4	HOPUP CHAMBER SOFT FLAT NUB (4MM)	1
11A	MX-HOP010SF6	HOPUP CHAMBER SOFT FLAT NUB (6MM) (OPTIONAL)	0
12	MX-HOP010HC4	HOPUP CHAMBER HARD CONCAVE NUB (4MM)	1
12A	MX-HOP010HC6	HOPUP CHAMBER HARD CONCAVE NUB (6MM) (OPTIONAL)	0
13	N/A	MAPLE LEAF OMEGA HOPUP TENSIONER (NOT INCLUDED)	0
14	M1220PPS	M1.2X2MM PHILLIPS PAN HEAD SCREW	10
15	MX-HOP010SCM	HOPUP CHAMBER SIDE COVER M4	2
16	M1230PPS	M1.2X3MM PHILLIPS PAN HEAD SCREW	8
17	MX-HOP010W29	HOPUP CHAMBER SIDE WING M4 (2.9MM)	2
18	MX-HOP010SPG	HOPUP CHAMBER SPRING GUIDE	1
19	37170-11T050	2.7X3.7X17MM HELICAL COMPRESSION SPRING	1
20	MX-HOP005CC	HOPUP CHAMBER C-CLIP	1
21	MX-HOP010LH	HOPUP CHAMBER LATCH HOUSING	1
22	MX-HOP010LA	HOPUP CHAMBER LATCH ARM	1
23	MX-HOP010LSP	HOPUP CHAMBER LATCH SPACER	1
24	N/A	MAPLE LEAF HOPUP BUCKING (NOT INCLUDED)	0
25	N/A	INNER BARREL (NOT INCLUDED)	0
26	MX-HOP005BS	HOPUP CHAMBER BARREL SPACER	1
27	7595C10B70	7.5X9.5X1MM 70 BUNA O-RING	1
28	1118-50T090	9X11X18MM HELICAL COMPRESSION SPRING	1



Apply Silicone grease



Apply Lithium grease



Apply Threadlocker



Tighten firmly, do not overtighten



Assemble left and right in the same way

**CAUTION: Please check your model carefully before operation!**

REV. MX-HOP010MI-190522-02